

MTG-GL-179

REPLACES
AO18-38

REVISIONS

5	9/96
6	12/96
7	7/97
8	8/97
9	CO/395
10	6/98

Honeywell
LIMIT SWITCH
CATALOGUE LISTING
GLS
CHART NO.
MTG-GL-179

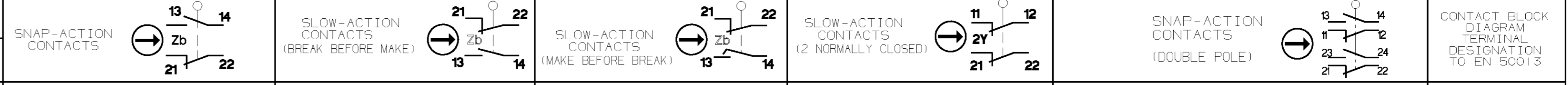
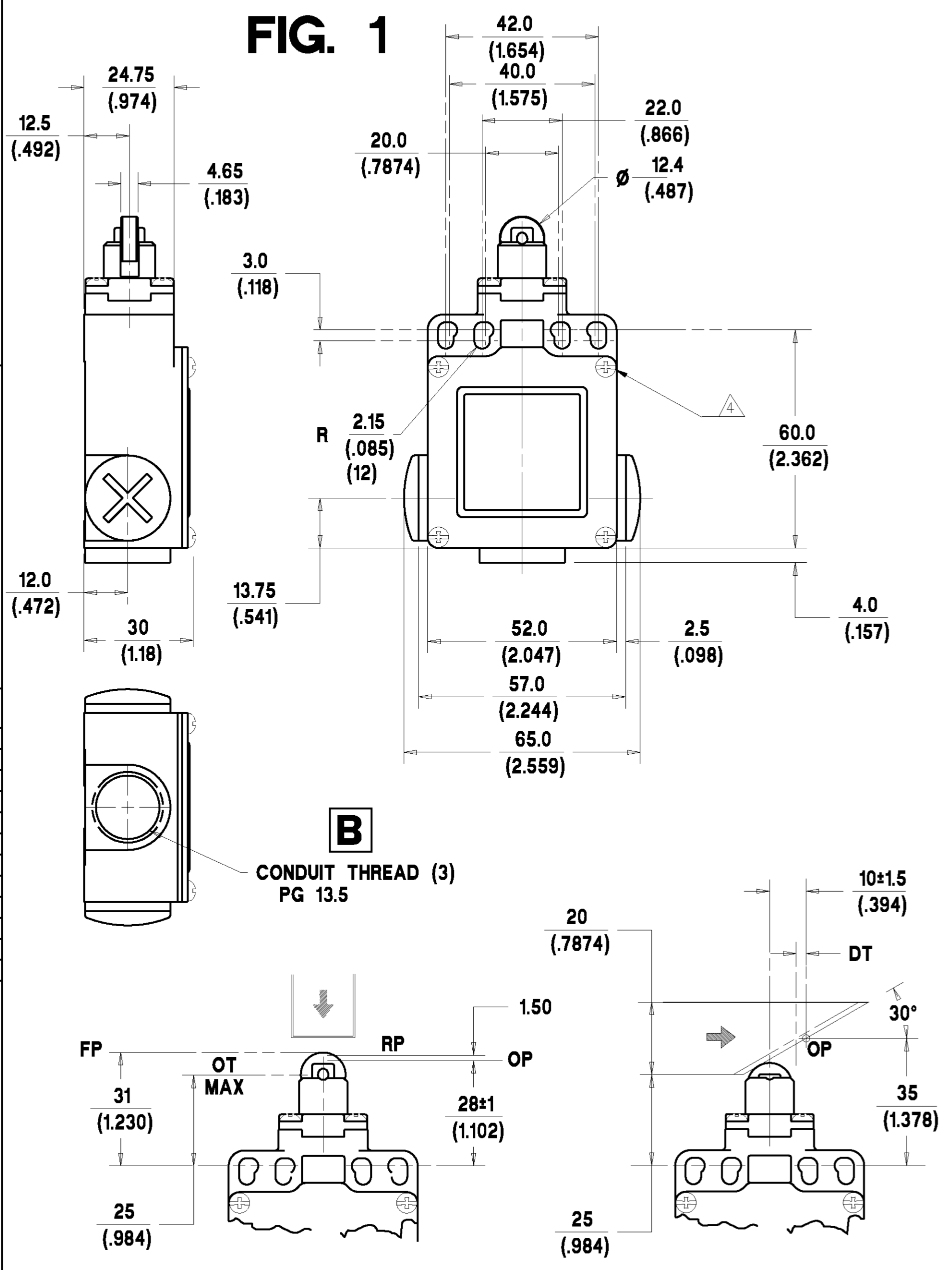


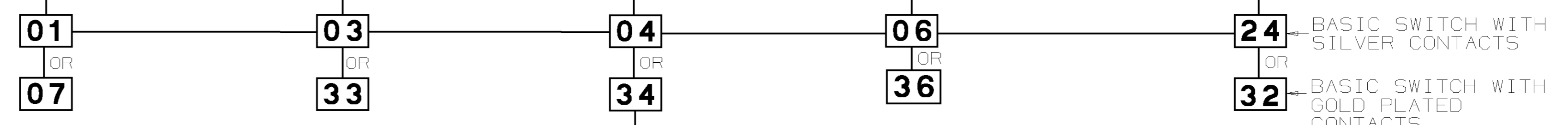
FIG. 1



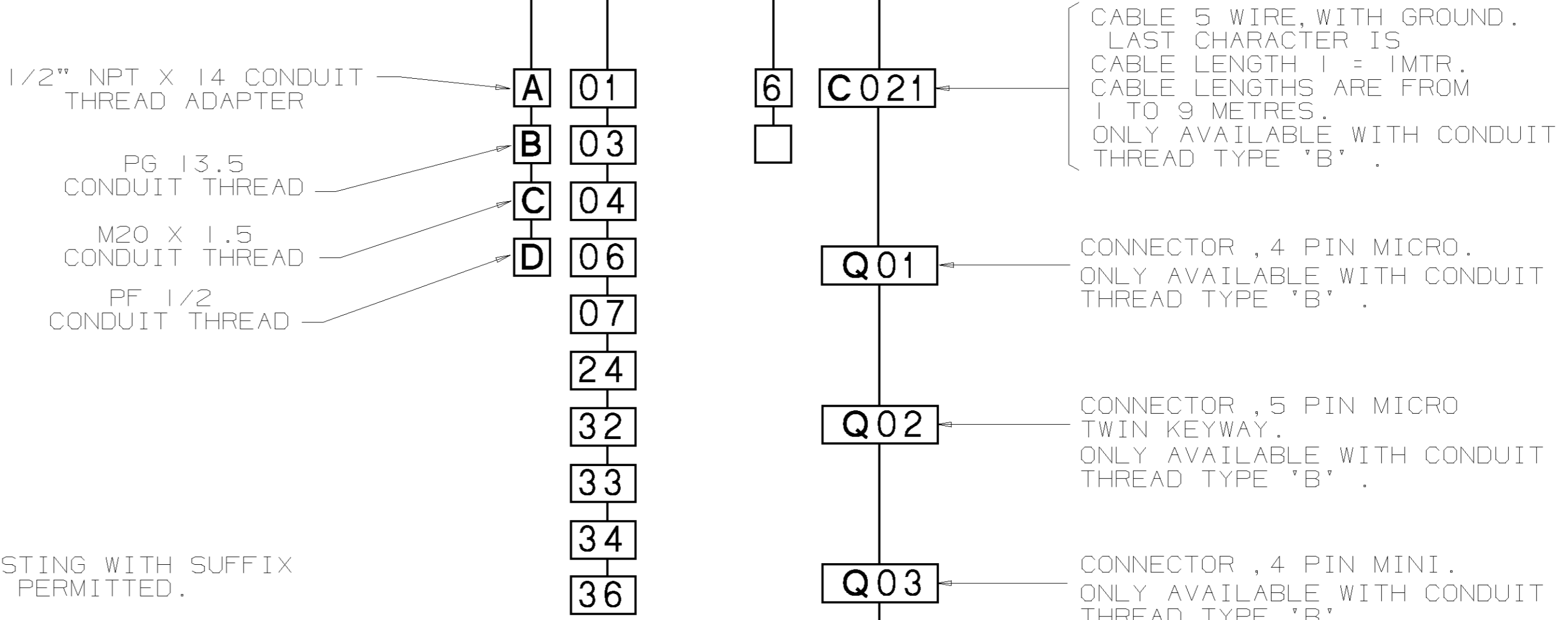
- NOTES:-
- ZINC DIECAST BODY AND HEAD WITH STEEL COVER. BODY AND COVER FINISHED IN MICRO SWITCH BLUE EPOXY PAINT. HEAD FINISHED IN BLACK EPOXY PAINT.
 - MINIMUM OPERATING VELOCITY (V_{min}) = 1.0 MM/S (THESE LIMITS APPLY TO LINEAR OPERATION AS SHOWN IN THE ABOVE DIAGRAMS ONLY)
MAXIMUM OPERATING VELOCITY (V_{max}) = 100 MM/S
MAXIMUM OPERATING FREQUENCY (F_{max}) = 250 OPS/MIN
 - FREE POSITION (FP), OPERATING POINT (OP), OVERTRAVEL (OT) AND PRETRAVEL (PT) ALL TO EN50047.
 - MAXIMUM TIGHTENING TORQUE FOR FIXING SCREW = 0.5Nm (4.4in.LB)

NO CHANGES CAN BE MADE TO THIS DRAWING WITHOUT JOINT NEWHOUSE/FREEPORT APPROVAL

16 (3.6)	14 (3.2)	16 (3.6)	13 (2.9)	13 (2.9)	NORMAL OPERATING FORCE MAX N (lbf)
23 (5.2)	24 (5.4)	27 (6.1)	23 (5.2)	24 (5.4)	MAXIMUM DISCONNECT FORCE N (lbf)



BASIC SWITCH CONDUIT THREAD (SEE FIGS. 1 & 2)
EN50047 BODY TYPE (SEE FIG. 1)
MODIFICATION CODE
TOP ROLLER ACTUATOR (SEE FIG. 1)
ROLLER ORIENTATION (SEE FIG. 3)



CABLE 5 WIRE, WITH GROUND. LAST CHARACTER IS CABLE LENGTH I = IMTR. CABLE LENGTHS ARE FROM 1 TO 9 METRES. ONLY AVAILABLE WITH CONDUIT THREAD TYPE 'B'.

NOTE: ANY STANDARD LISTING WITH SUFFIX 'RS' OR 'FE' IS PERMITTED.

FIG. 2

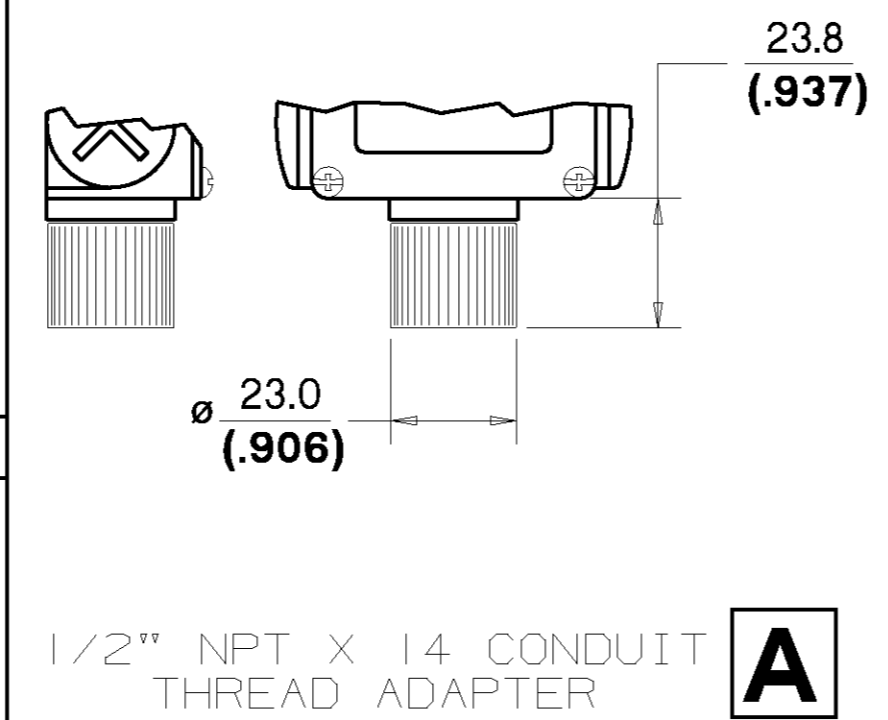
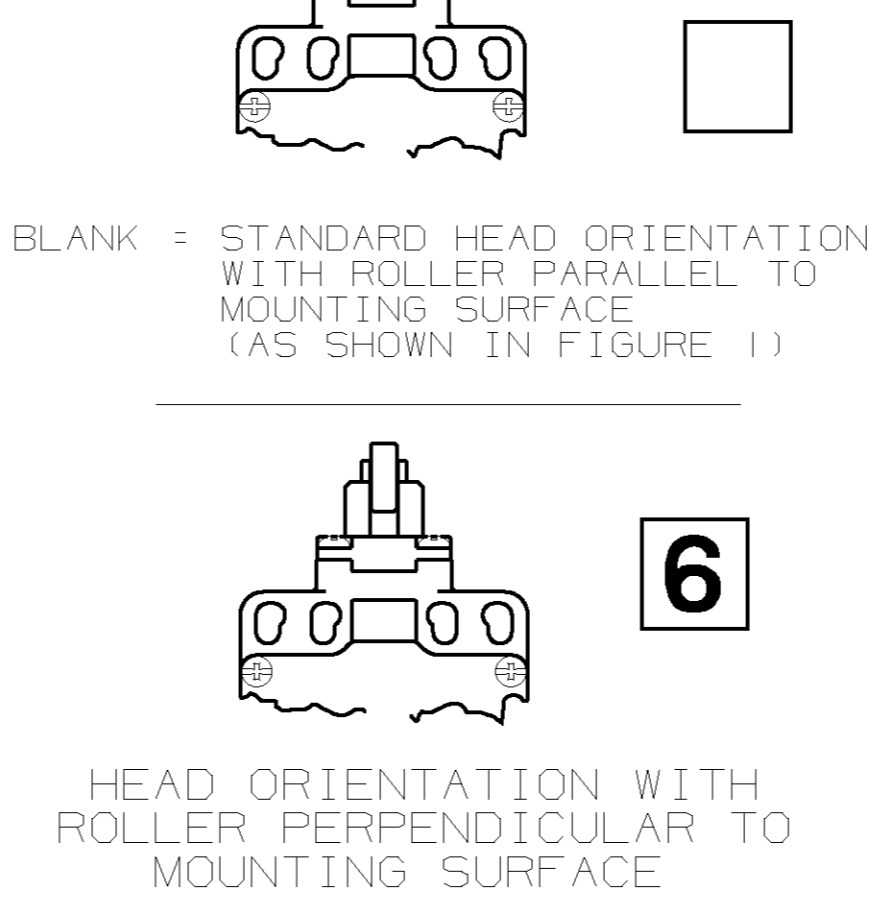


FIG. 3



BLANK = STANDARD HEAD ORIENTATION WITH ROLLER PARALLEL TO MOUNTING SURFACE (AS SHOWN IN FIGURE 1)

HEAD ORIENTATION WITH ROLLER PERPENDICULAR TO MOUNTING SURFACE

3/93	3/93	3/93	STANDARD SILVER CONTACTS	GOLD PLATED CONTACTS	ENVIRONMENTAL	APPROVALS
3/93	3/93	3/93	ELECTRICAL RATING	ELECTRICAL RATING	ENVIRONMENTAL	APPROVALS
AC	DC					
A300 Ue	AC15 Ie	O300 Ue	DC13 Ie	$I_{th} = 10A$	IP66 NEMA 1, 4, 12, 13	 IEC 947-5-1 EN50047
VOLTS 120 240	AMPS 6 3	VOLTS 125 250	AMPS 0.55 0.27	IV 10µA MIN. 50V 100mA MAX.	TEMP RANGE : -25°C TO 85°C -13°F TO 185°F STORAGE : -40°C TO 85°C -40°F TO 185°F	
SHOCK : 50G PER IEC 68-2-27			VIBRATION : 10G PER IEC 68-2-6			
THE COPYRIGHT OF THIS DRAWING IS THE PROPERTY OF HONEYWELL LTD. THE DRAWING IS SUPPLIED IN CONFIDENCE AND MUST NOT BE USED FOR ANY PURPOSE OTHER THAN THAT FOR WHICH IT IS SUPPLIED.		THIRD ANGLE PROJECTION	SCALE 1:1	DIMENSIONS ARE IN MM/INCHES.		MODIFY ON CAD3D SYSTEM ONLY

NOTE: FOR CONNECTION DIAGRAMS AND ADDITIONAL ELECTRICAL, ENVIRONMENTAL & DIMENSIONAL INFORMATION SEE DRAWING GL-49212.

NOTE:- CABLE AND CONNECTOR WILL BE FITTED TO BOTTOM EXIT CONDUIT ONLY. OTHER OPTIONS CUSTOMER SPECIAL 'N' LISTING.